

COLOUR CODED PARTS:

TILLER SHROUD (FRONT)
 S08-036-00111 (RED)
 S08-036-00151 (BLUE)

TILLER SHROUD (REAR)
 S08-036-00211 (RED)
 S08-036-00251 (BLUE)

FRONT SHROUD ASSEMBLY
 S08-036-00311 (RED)
 S08-036-00351 (BLUE)

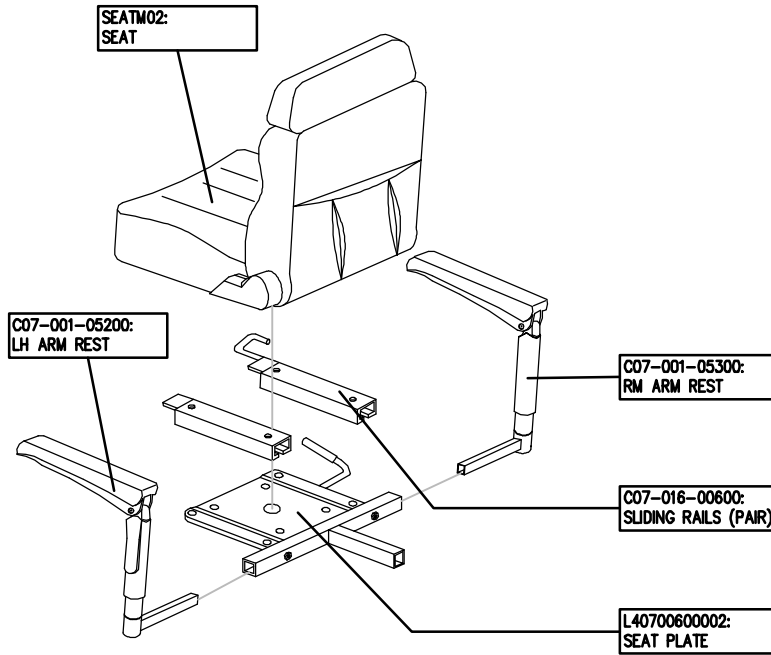
SEPERATE PARTS AVAILABLE:

FROM THE TILLER SHOURD (FRONT)
 SEE DIAGRAM ON PAGE 3

FROM THE FRONT FRAME:
 C01-036-00600: FRONT BUMPER ASSEMBLY

FROM THE FRONT SHROUD ASSEMBLY:
 C26-029-00100: LH RUBBER FOOT PAD
 C26-029-00200: RH RUBBER FOOT PAD

FROM THE HEAD LAMP
 C13-022-00900: BULB



COLOUR CODED PARTS AVAILABLE:

REAR SHROUD:

S08-036-00411 (RED)
S08-036-00451 (BLUE)

SEPERATE COMPONENTS AVAILABLE:

FROM THE MOTOR ASSEMBLY:

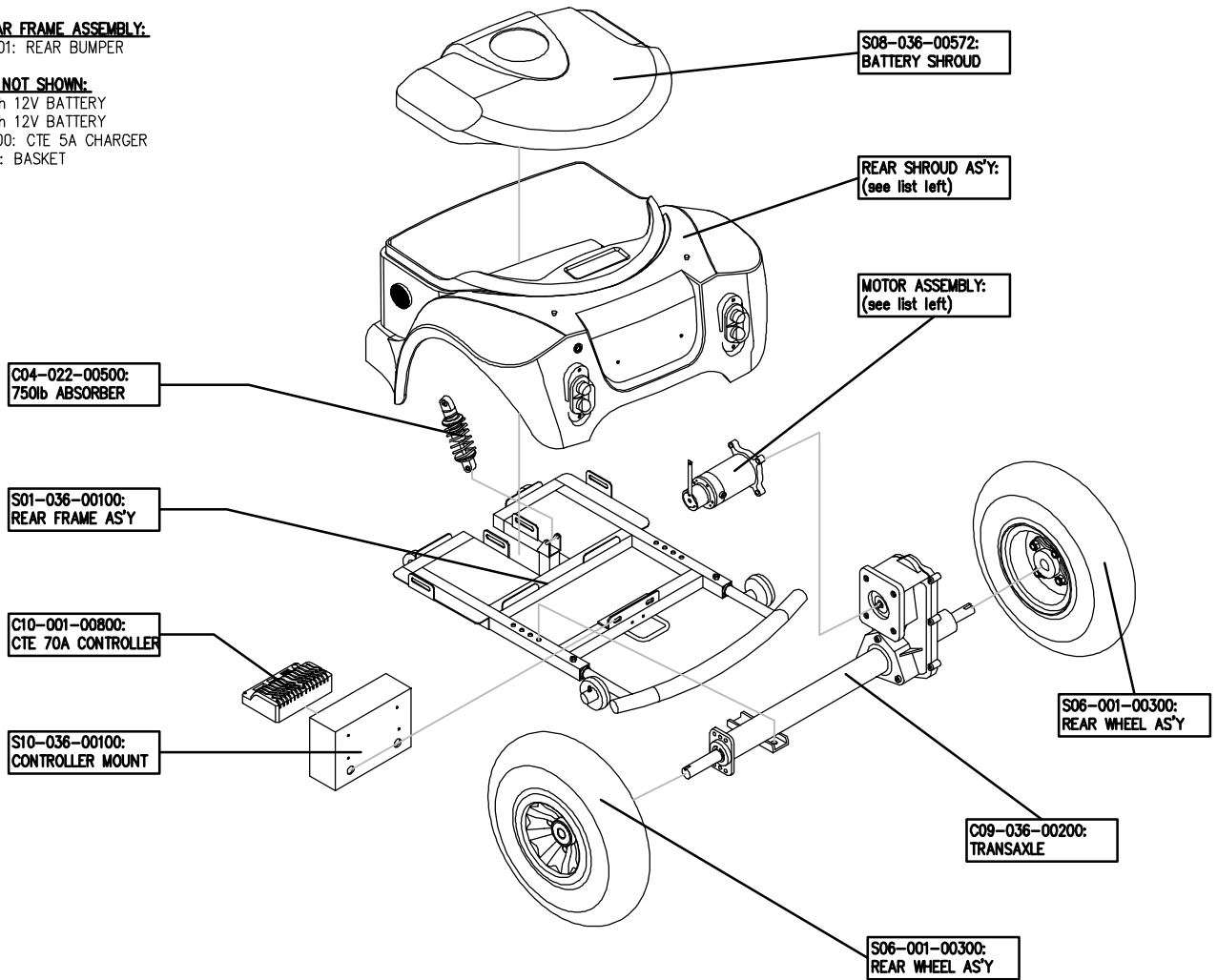
C09-005-00101: 450W MOTOR
C09-036-00300: EM BRAKE
C09-005-00601: CARBON BRUSH 7x11
C09-005-02400: CARBON BRUSH CAP

FROM THE REAR FRAME ASSEMBLY:

C01-036-00401: REAR BUMPER

OTHER PARTS NOT SHOWN:

12V34AH: 34ah 12V BATTERY
12V40AH: 44ah 12V BATTERY
C12-001-02000: CTE 5A CHARGER
M42310106000: BASKET



medicaretechnology
LIMITED

Ainley's Industrial Estate, Elland HX5 9JP
T: +44 (0) 1422 314488
E: enquiries@medicaretechnology.com
W: www.medicaretechnology.com/technical

TITLE:

REGATTA 6
SPARE PARTS MANUAL

DATE:

13/11/07

SHEET No:

2 of 3

DRAWN:

PMK

CHECKED:

REVISION No:

—

SCALE:

NTS

DWG No:

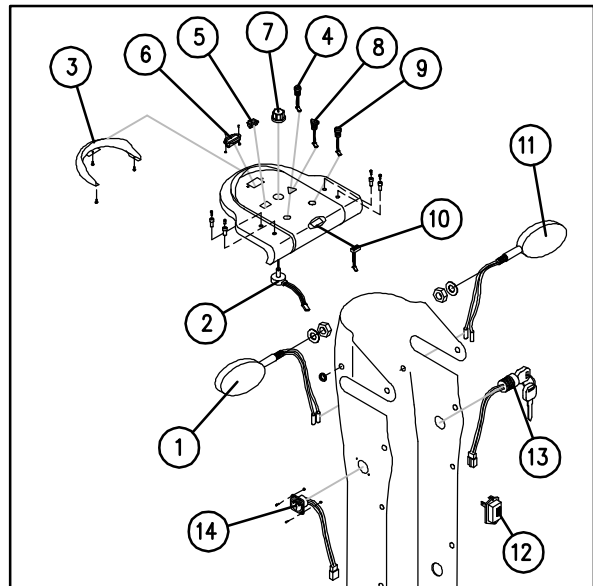
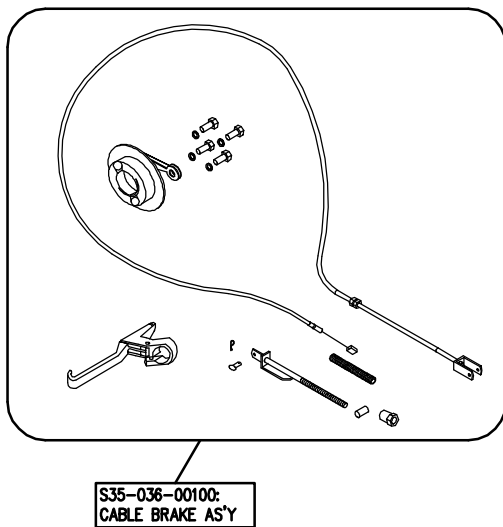
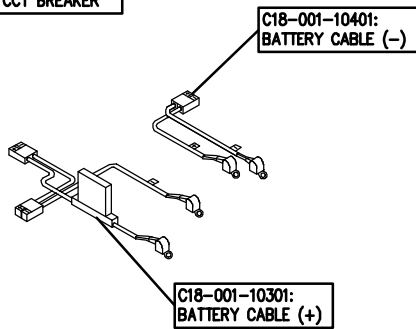
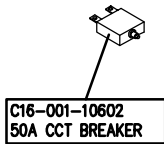
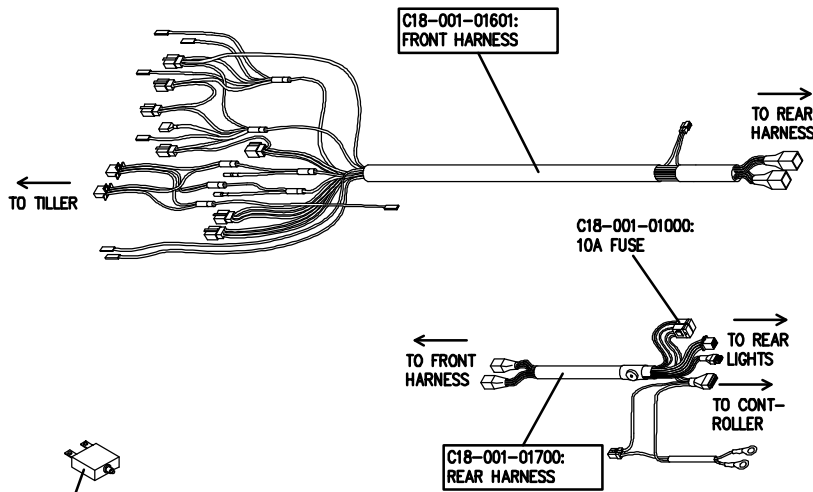
Z40943

OTHER PARTS AVAILABLE:

C12-001-02000: 5A CHARGER
Z20972: 7A CHARGER

C17-029-00500: 20A FUSE

12V40AH: 44Ah BATTERY
12V34AH: 34h BATTERY



TILLER PARTS AVAILABLE:

1. C16-022-01300: LH FRONT SIGNAL LAMP
2. M41100300000: SPEED POT
3. C08-022-03100: SHADE
4. C16-022-00500: HEADLAMP SWITCH
5. M41610401000: INDOOR / OUTDOOR SWITCH
6. C11-022-00100: BATTERY INDICATOR
7. 3D2600200000: SPEED DIAL KNOB
8. L41600100000: HAZARD SWITCH
9. C16-022-00700: HORN BUTTON
10. C11-001-00700: INDICATOR (SIGNAL) SWITCH
11. C16-022-01500: RH FRONT SIGNAL LAMP
12. C12-001-10701: FLASHER RELAY
13. M41810807000: IGNITION SWITCH AS'Y
14. M41210216000: CHARGER SOCKET